



Lenox Instrument Company, Inc.  
265 Andrews Road • Trevose, PA 19053  
USA 800-356-1104 • Worldwide 215-322-9990  
Fax 215-322-6126 • sales@lenoxinst.com

## **FireSight<sup>®</sup> High-Temperature Remote Viewing Systems** *for color video monitoring of combustion and process control in boilers, furnaces, kilns and incinerators*



Only by seeing directly into the inside of your boiler, furnace or incinerator, are you able to:

- Instantly view burner malfunction, flame impingement, fire ball centering problems, tube leaks and other problems
- Reduce shut downs and maintenance costs by identifying NOx, CO and O2 imbalance, high unburned carbon (LOI), eyebrows, slag, clinker and ash build-up
- Optimize the efficiency and safety of your unit by viewing fuel and adjusting fuel and air flow in the burning zone
- Save time, man-hours and fuel during start-up
- Watch for proper process flow and accurate conveyance of materials

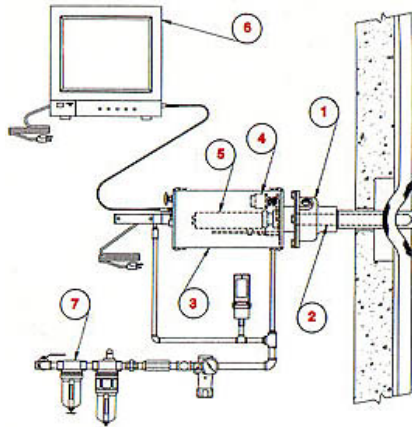
Specially designed for high-temperature environments - and backed by over eighty years of experience - **Lenox** FireSight systems view the inside of your furnace or boiler and displays what it sees in real time on a color monitor 24 hours a day 365 days a year. A proven record of reliable performance that is unmatched by any other system available today and backed by a **two-year warranty!**

The **Lenox** air-cooled boiler camera for applications up to 3000°F (1649°C) requires a boiler wall penetration of only 2-3/8 in. (61mm). With its small size, the system will normally fit between boiler tubes and can often be used with existing wall penetrations. FireSight systems provide the highest image clarity in the industry. The Light Volume Control feature, a Lenox exclusive, consists of a remote-controlled motorized iris and spot filter located in the furnace lens. With the Light Volume Control, an operator can easily adjust the amount of light transmitted to the camera, eliminating the flaring / blooming common with other systems and ensuring a high-quality image from initial light off to maximum load. The system features quartz optics, another Lenox exclusive, that withstands temperatures up to 1200°F (649°C) higher than the glass lens used in other systems. The compressed air-cooling system provides reliable performance while using considerably less air than competing systems. The Wall Box mounting assembly provides a protective housing for the system and serves as the primary coolant shroud. (For portable systems see Portable FireSight Diagnostic System brochure).

Optional system accessories include an Automatic Retract System that automatically pulls the **Lenox** furnace camera back should a loss of cooling occur, preventing possible over-temperature damage to the furnace lens assembly; a high efficiency compressed Air Filter System for removing oil, water and particulates providing clean air to the FireSight system insuring trouble-free performance and a clear view of the combustion. It uses a self-purging coalescing filter and a pressure differential switch, which may be wired to an alarm, letting the operator know when its time to change the filter elements. Flat CRT or Flat LCD monitors and a Digital Video Recorder are also available.



**Lenox Instrument Company, Inc.**  
 265 Andrews Road • Trevoese, PA 19053  
 USA 800-356-1104 • Worldwide 215-322-9990  
 Fax 215-322-6126 • sales@lenoxinst.com



**Lenox Boiler Camera / Furnace Camera Components:**

- 1 Wall Box
- 2 Furnace Lens
- 3 High-Temperature, Air Cooled Camera Housing
- 4 Light Volume Control
- 5 Compact, High-Resolution CCD Camera
- 6 Video Monitor
- 7 High Efficiency Compressed Air Filter System with mounting plate

**FireSight Systems Include:**

\*Specifications subject to change without notice.

- Air-cooled FireSight Furnace Lens Assembly (specify 24" or 36" – direct or right angle viewing)
- Air-cooled CCTV Housing Assembly
- High-resolution CCD Color Camera Assembly
- Light Volume Control Motor Assembly – consists of a remote-controlled motorized iris and spot filter located in furnace lens assembly – an exclusive to Lenox

Stock Number	Furnace Lens Length		Viewing Direction	FOV
	mm	(inches)		
6515FC-102	610	24"	Direct	90°
6515FC-402	610	24"	Right Angle	55°
6515FC-103	914	36"	Direct	90°
6515FC-403	914	36"	Right Angle	55°

Lengths up to 96 inches (243 cm) available – consult factory

**Wall Box Assembly Mountings**

Required for mounting the FireSight system – provides a protective housing and is the primary coolant shroud

Stock Number	Furnace Lens Length		Viewing Direction
	mm	(inches)	
6515A24-900	610	24"	Direct
6515A24-910	610	24"	Right Angle
6515A36-900	914	36"	Direct
6515A36-910	914	36"	Right Angle

**FireSight System Options & Accessories**

Stock Number	Description
6515A-102	Air Filter System with mounting plate (removes oil, water and particulates)
6515A-208/12	Automatic 12" Retract System
6515A-208/24	Automatic 24" Retract System
6515A-208/36	Automatic 36" Retract System
516-0906	9" Color CRT Monitor
516-1501	15" Color CRT Monitor
516-1502	15" Color Flat LCD Monitor
516-2007	20" Color Flat LCD Monitor
515-0187	Digital Video Recorder
6515S-MP4	Digital Video Recorder / Player (hard drive)
6515S-501	High-resolution CCD Color Camera & Hardware